



PUMPS AUSTRALIA

BETTER • FASTER • EASIER



SHALLOW WELL JET PUMP

PUMP ONLY

TECHNICAL DATA

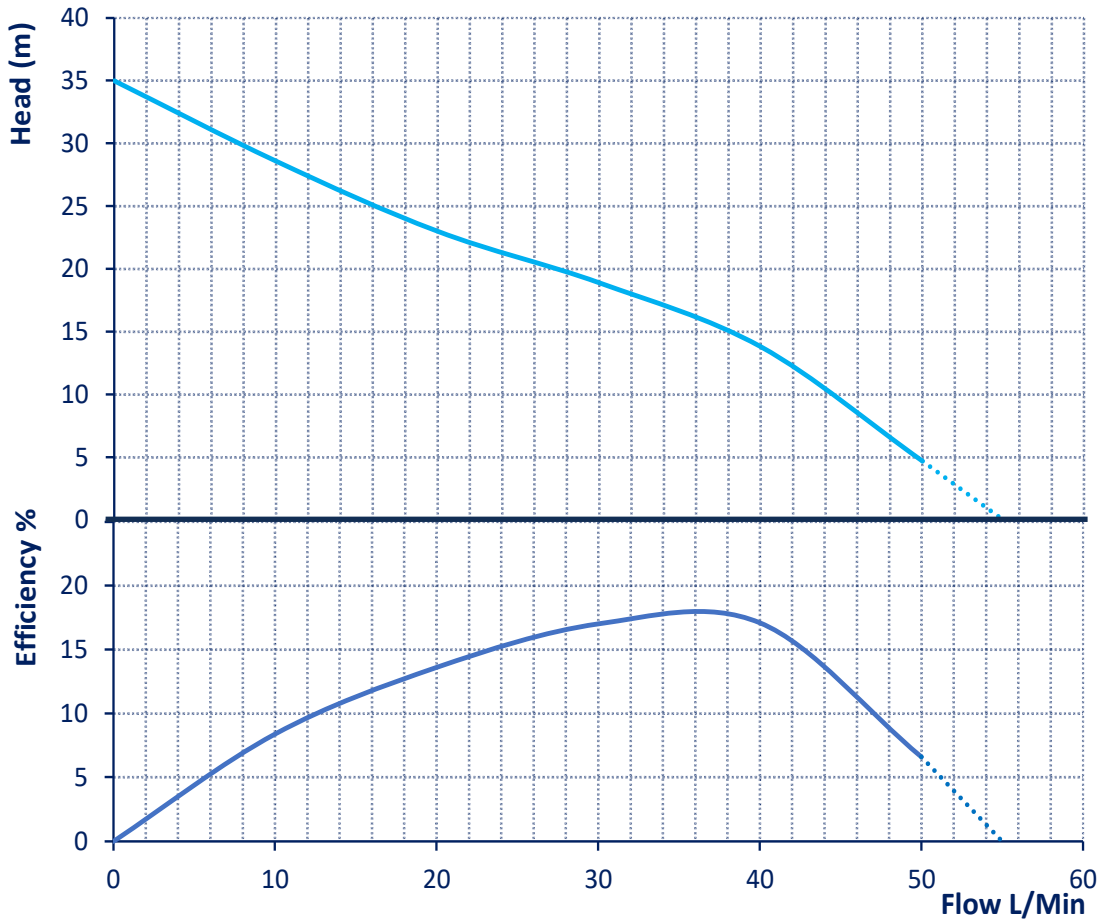
MODEL: RSWE40
CODE: 22139

MAX HEAD 35M
MAX FLOW 50L/MIN
MOTOR POWER 600W
DISCHARGE 25MM



CHARACTERISTIC CURVE & PERFORMANCE DATA

SHALLOW WELL JET PUMP RSWE40



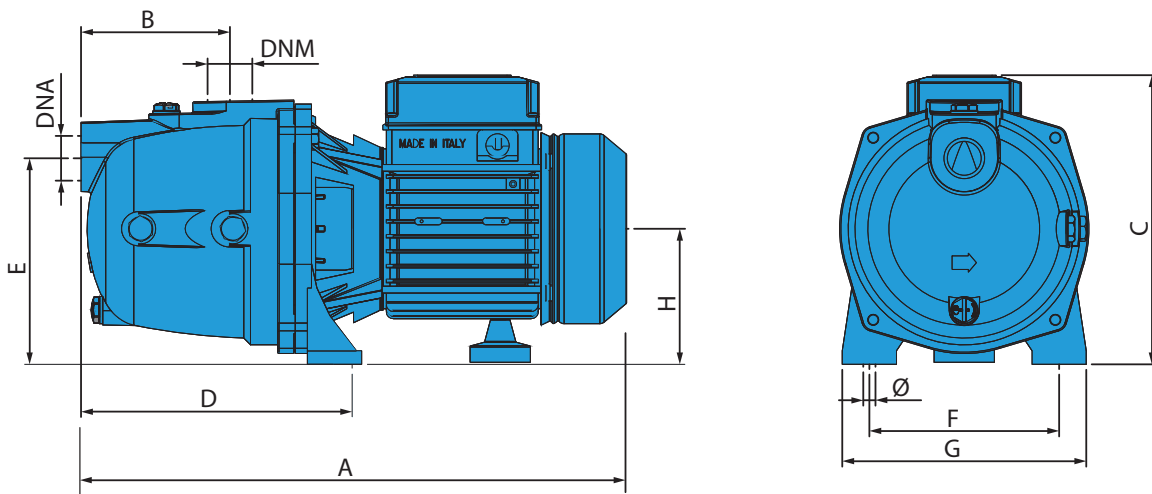
TYPE	Nominal Power (P2)		Input Power (P1)	Input Current (A)
	W	HP	W	240V
RSWE40	440	0.6	600	2.6

L/MIN	0	10	20	30	40	50
HEAD (M)	35	28.6	22.3	18.9	13.8	4.7
EFFICIENCY (%)	0	8.4	13.6	16.1	17.1	6.6

NOTE: Efficiency Percentage (%) refers to the percentage of power consumed by the motor during operation. This calculation is taken from the P1 Power.

Ascento Group reserves the right to make changes without prior notice

DIMENSIONS & WEIGHT



SHALLOW WELL JET PUMP RSWE40

MODEL	DIMENSIONS (MM)										PACKING (MM)			WEIGHT (KG)	
	A	B	C	D	E	F	G	Ø	H	DNA	DNM	L	W		H
RSWE40	380	110	195	195	155	140	180	9	95	1"	1"	250	190	440	10